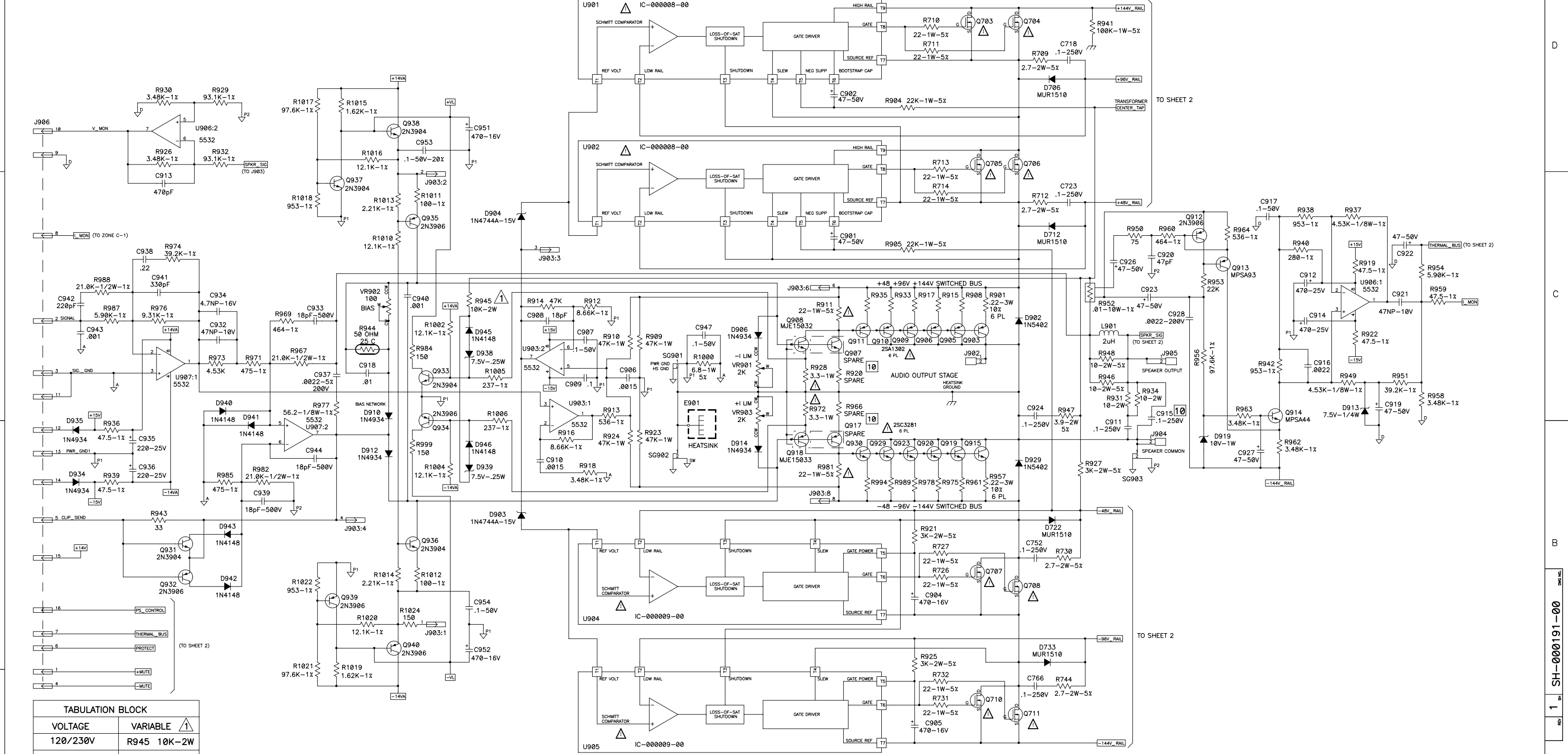


THIS DOCUMENT CONTAINS PROPRIETARY INFORMATION WHICH IS THE PROPERTY OF QSC AUDIO PRODUCTS. THAT MAY NOT BE DISCLOSED, REPRODUCED OR USED WITHOUT EXPRESS WRITTEN CONSENT FROM QSC AUDIO PRODUCTS.

REVISIONS				
ZONE	REV	DESCRIPTION	DATE	APPROVED



TABULATION BLOCK	
VOLTAGE	VARIABLE $\Delta$
120/230V	R945 10K-2W
100V	R945 18K-1W

1. THIS DRAWING USED IN CONJUNCTION WITH PCB ASSEMBLY WP-000191-XX AND WP-000202-00.
2. ALL RESISTORS ARE 1/4-WATT, 5%.
3. ALL CAPACITORS 100V. TOLERANCE 20% FOR ELECTROLYTIC TYPES, 10% ON OTHER TYPES.
4. R715, 970 ARE POSITIVE TEMPERATURE COEFFICIENT RESISTORS MOUNTED TO HEAT SINK. RESISTANCE 100 OHM COLD, RISING AT 55C. QSC P/N RE-000006-VP.
5. Q703-708, 710, 711 ARE SWITCHING FETS, QSC P/N QD-000031-QD, 125W, 60V MINIMUM, ON-RESISTANCE 0.030 OHMS MAX.

6. ZENERS D736, D947 AND D913, MARKED 7.5V, LOW LEAKAGE, QSC P/N QD-0007.5-ZT. ZENER D930, MARKED 6.2V, LOW LEAKAGE, QSC P/N QD-000024-QD.
7. PARTS MARKED WITH TRIANGLE  $\Delta$  MUST BE REPLACED WITH EXACT TYPE ONLY.
8. PARTS ENCLOSED WITHIN DOTTED OUTLINE HAVE VOLTAGES GREATER THAN 42V.
9. TO-220 DIODES D713, 714 AND 724 ARE SELECTED FOR PEAK REVERSE VOLTAGE GREATER THAN 250V.
10. COMPONENTS Q907, Q917, R920, R966, R1008, AND C915 ARE SPARES AND ARE NOT LISTED IN THE BILL OF MATERIALS.

QTY	ITEM NO.	PART NO.	DESCRIPTION	VENDOR
PARTS LIST				
UNLESS OTHERWISE SPECIFIED DIMENSIONS ARE IN INCHES. DIMENSIONS PER ANSI Y14.5-1982 TOLERANCES ARE:			CONTRACT NO.	
DECIMALS	DECIMALS	ANGLES	APPROVALS	
.XX ±	.XXX ±	0	DATE	5-28-96
MATERIAL			ISSUED	6-26-96
FINISH			CAD SEED FILE NO.	SH0191-H.SCH
NEXT ASSY			SCALE	NONE
APPLICATION			CAD FILE NO.	Sh191-h1.sch
DO NOT SCALE DRAWING			SHEET	1 OF 2

**QSC AUDIO PRODUCTS, INC.**  
COSTA MESA, CALIFORNIA

**SCHEMATIC DIAGRAM**  
**MAIN PCB, PL 2.4MB/ 4.0**

SIZE **D** FSCM NO. **SH-000191-00** REV

P:\TANGPROV\PL4.0\MAIN 1 Thu May 04, 2000

THIS DOCUMENT CONTAINS PROPRIETARY INFORMATION WHICH IS THE PROPERTY OF QSC AUDIO PRODUCTS. THAT MAY NOT BE DISCLOSED, REPRODUCED OR USED WITHOUT EXPRESS WRITTEN CONSENT FROM QSC AUDIO PRODUCTS.

D

C

B

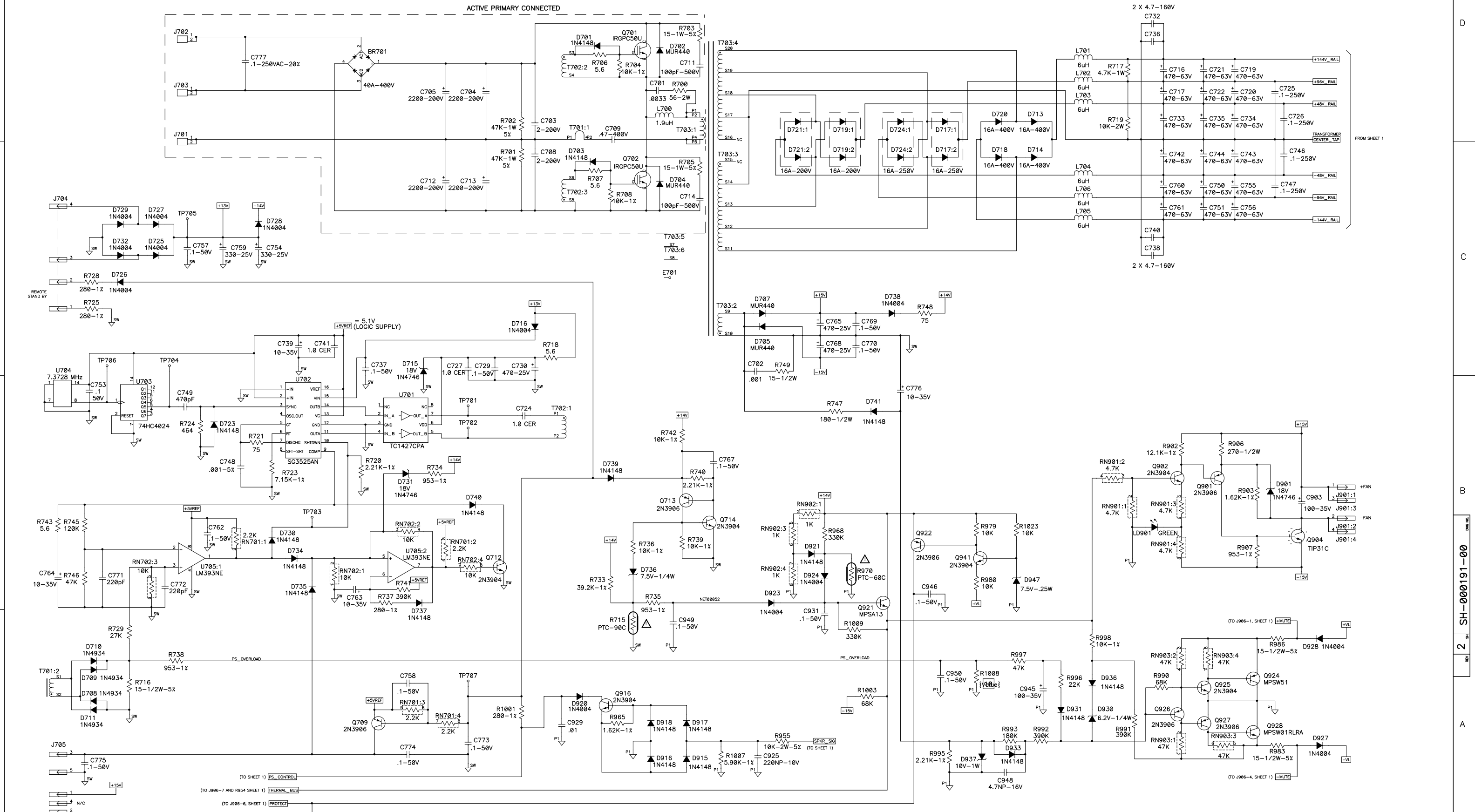
A

D

C

B

A



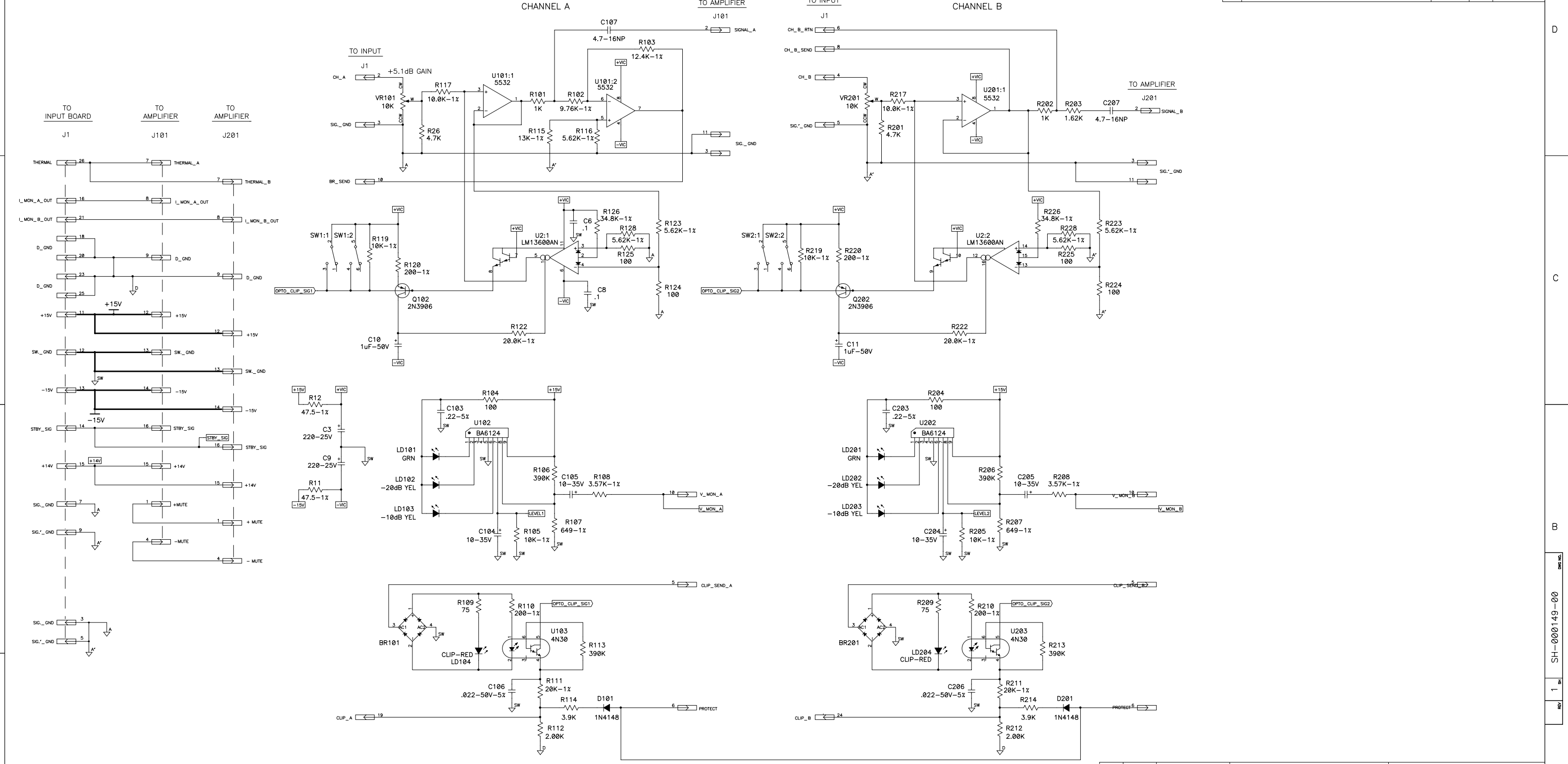
NOTES: UNLESS OTHERWISE SPECIFIED

SIZE	FSCM NO.	DWG NO.	REV
D		SH-000191-00	
SCALE	CAD FILE NO.	SHEET	2 OF 2
	Sh191-h1.sch		
PLOT DATE:		1	
Thu May 04, 2000			

2 SH-000191-00

THIS DOCUMENT CONTAINS PROPRIETARY INFORMATION WHICH IS THE PROPERTY OF QSC AUDIO PRODUCTS. THAT MAY NOT BE DISCLOSED, REPRODUCED OR USED WITHOUT EXPRESS WRITTEN CONSENT FROM QSC AUDIO PRODUCTS.

REVISION				
REV	DESCRIPTION	EFF. DATE	CHK	APPROVED / DATE



4. PARTS IN COMMON WITH BOTH CHANNELS NUMBERED 1-99.  
 CH 1 COMPONENTS NUMBERED 101-199.  
 CH 2 COMPONENTS NUMBERED 201-299.  
 3. CAPACITORS ARE IN MICROFARADS, 25V MIN.  
 2. RESISTORS ARE IN OHMS, 1/4W\_400, 5%.  
 1. THIS DRAWING USED IN CONJUNCTION WITH ASSEMBLY WP-000149-00 AND FABRICATION DRAWING PC-000149-00.
- NOTES: UNLESS OTHERWISE SPECIFIED

QTY	ITEM NO.	PART NO.	DESCRIPTION	VENDOR
PARTS LIST				
UNLESS OTHERWISE SPECIFIED DIMENSIONS ARE IN INCHES. DIMENSIONS PER ANSI Y14.5-1982 TOLERANCES ARE:			CONTRACT NO.	
DECIMALS	DECIMALS	ANGLES	APPROVALS	
.XX ±	.XXX ±	0	DATE	
DEBURR EDGES .XXX R MAX MATERIAL			DRAWN R. BECKER 3-12-96	
FINISH			CHECKED W. RULAND 8-21-96	
NEXT ASSY USED ON			ISSUED T. SHOOK 8-22-96	
APPLICATION			CAD SEED FILE NO. SH0149-B.SCH Thu May 04, 2000	
DO NOT SCALE DRAWING			SCALE NONE	

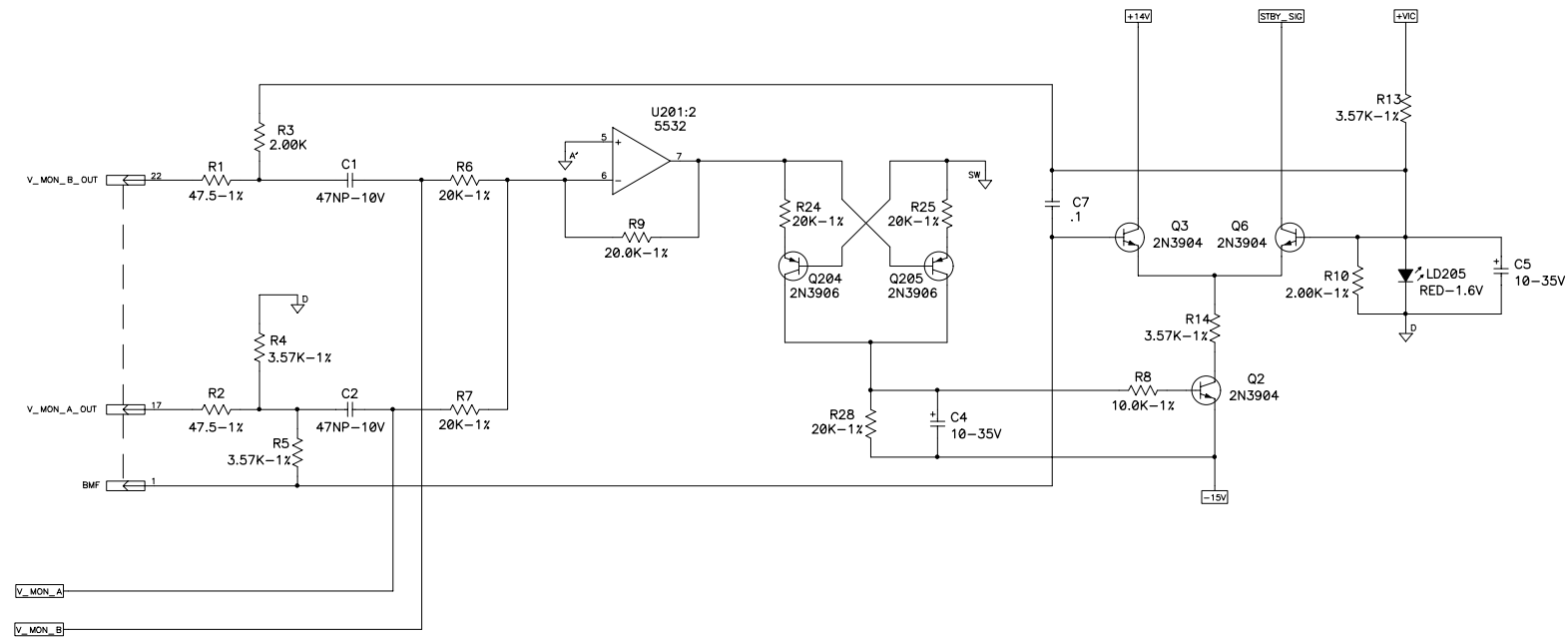
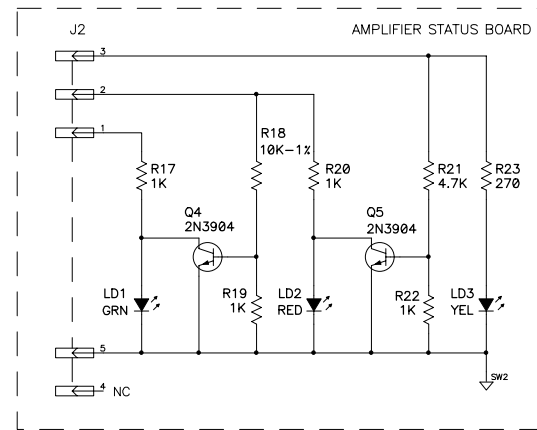
**QSC** AUDIO PRODUCTS, INC.  
 COSTA MESA, CALIFORNIA

SCHEMATIC DIAGRAM  
 DISPLAY, POWERLIGHT DP

DWG NO. SH-000149-00

SHEET 1 OF 2

THIS DOCUMENT CONTAINS PROPRIETARY INFORMATION WHICH IS THE PROPERTY OF QSC AUDIO PRODUCTS. THAT MAY NOT BE DISCLOSED, REPRODUCED OR USED WITHOUT EXPRESS WRITTEN CONSENT FROM QSC AUDIO PRODUCTS.



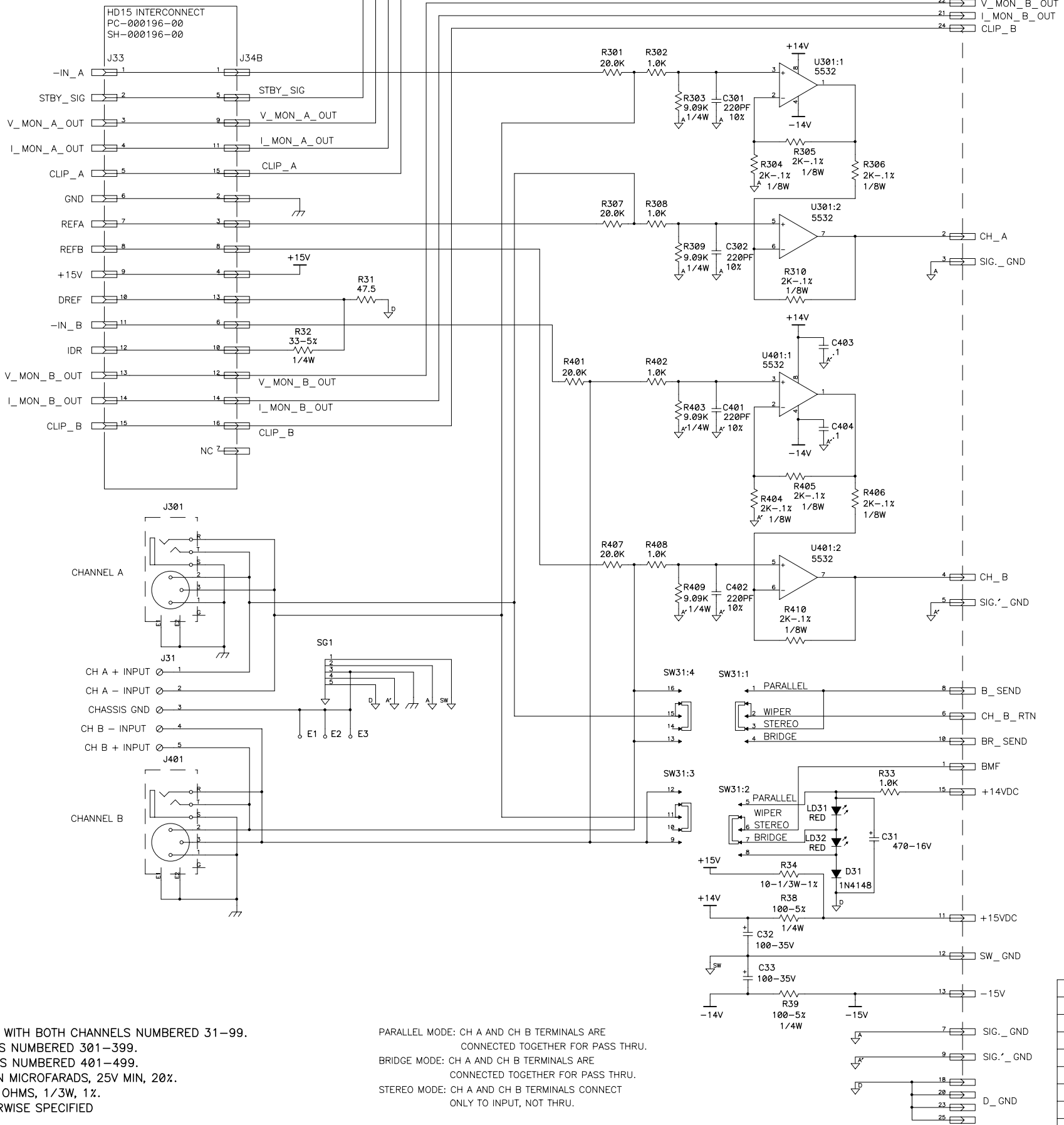
NOTES: UNLESS OTHERWISE SPECIFIED

SIZE <b>D</b>	FSCM NO.	DWG NO. SH-000149-00	REV
SCALE NONE	CAD FILE NO. sh0149-c.sch	SHEET 2	

THIS DOCUMENT CONTAINS PROPRIETARY INFORMATION WHICH IS THE PROPERTY OF QSC AUDIO PRODUCTS, THAT MAY NOT BE DISCLOSED, REPRODUCED OR USED WITHOUT EXPRESS WRITTEN CONSENT FROM QSC AUDIO PRODUCTS.

**SCHEMATIC DIAGRAM, INPUT/OUTPUT FOR PC-000193-00, REV 3**  
**DOC NO. SH-000193-00, REV 4**

REVISIONS				
ZONE	REV	DESCRIPTION	DATE	APPROVED



- 3. PARTS IN COMMON WITH BOTH CHANNELS NUMBERED 31-99.  
 CH A COMPONENTS NUMBERED 301-399.  
 CH B COMPONENTS NUMBERED 401-499.
  - 2. CAPACITORS ARE IN MICROFARADS, 25V MIN, 20%.
  - 1. RESISTORS ARE IN OHMS, 1/3W, 1%.
- NOTES: UNLESS OTHERWISE SPECIFIED

PARALLEL MODE: CH A AND CH B TERMINALS ARE CONNECTED TOGETHER FOR PASS THRU.  
 BRIDGE MODE: CH A AND CH B TERMINALS ARE CONNECTED TOGETHER FOR PASS THRU.  
 STEREO MODE: CH A AND CH B TERMINALS CONNECT ONLY TO INPUT, NOT THRU.

QTY	ITEM NO.	PART NO.	DESCRIPTION	VENDOR
PARTS LIST				
UNLESS OTHERWISE SPECIFIED DIMENSIONS ARE IN INCHES. DIMENSIONS PER ANSI Y14.5-1982 TOLERANCES ARE:			CONTRACT NO.	
DECIMALS	DECIMALS	ANGLES	APPROVALS	
.XX ±	.XXX ±	0	DATE	
DEBURR EDGES .XXX R MAX			DRAWN B. LILLEMØEN 7-18-95	
MATERIAL			CHECKED	
FINISH			ISSUED	
NEXT ASSY			USED ON	
APPLICATION			DO NOT SCALE DRAWING	
POWERLIGHT 4.0			CAD SEED FILE NO. SH0193-5.SCH Thu May 04, 2000	
SCALE NONE			SIZE D	
CAD FILE NO. SH0193-b.sch			FSCM NO.	
SHEET 1 OF 1			DWG NO. SH-000193-00	
REV			REV	

**QSC AUDIO PRODUCTS, INC.**  
 COSTA MESA, CALIFORNIA

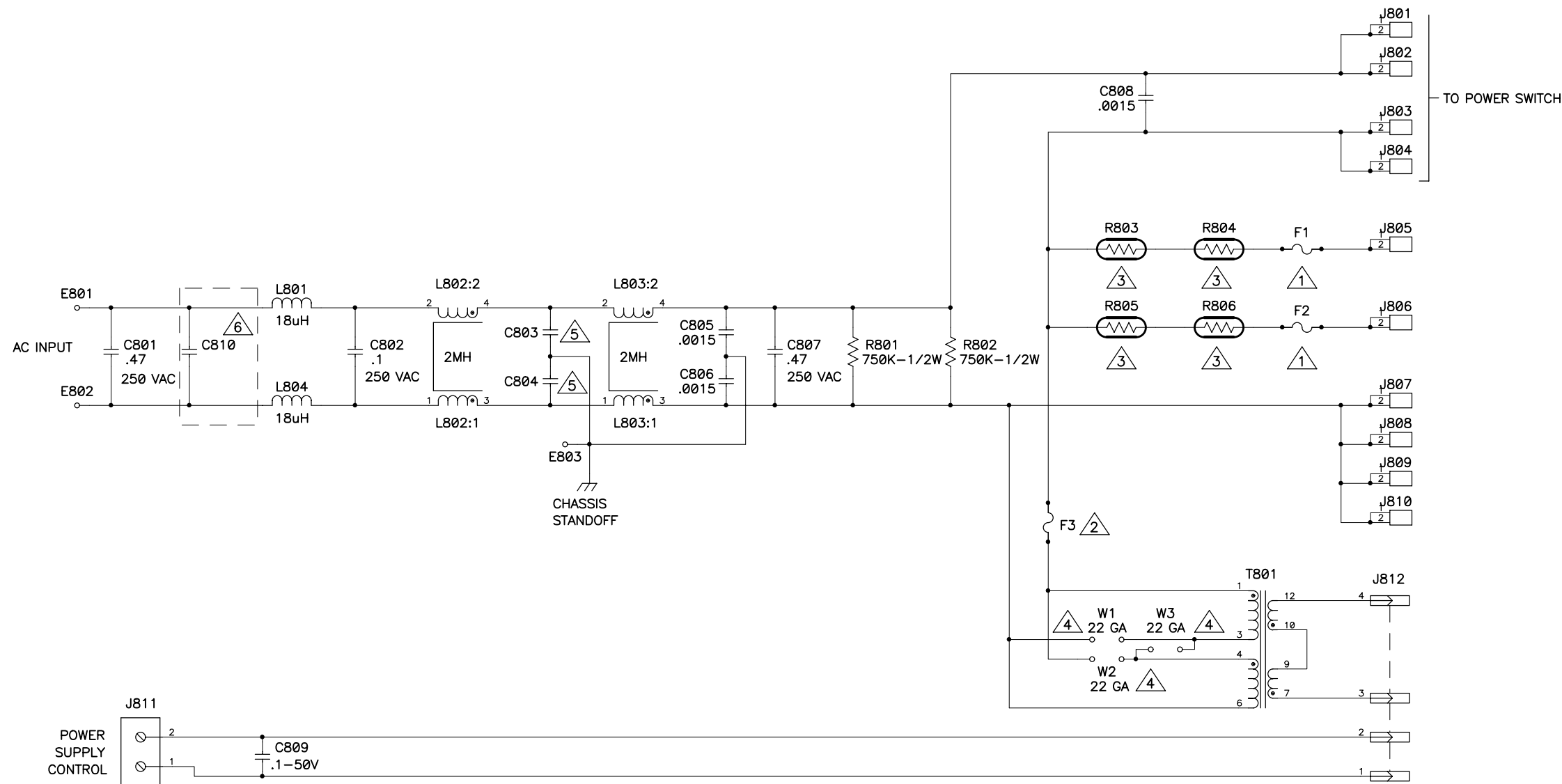
**SCHEMATIC DIAGRAM**  
**INPUT, POWERLIGHT 4.0**

SIZE D FSCM NO. DWG NO. SH-000193-00 REV

THIS DOCUMENT CONTAINS PROPRIETARY INFORMATION WHICH IS THE PROPERTY OF QSC AUDIO PRODUCTS, THAT MAY NOT BE DISCLOSED, REPRODUCED OR USED WITHOUT EXPRESS WRITTEN CONSENT FROM QSC AUDIO PRODUCTS.

REVISIONS

ZONE	REV	DESCRIPTION	DATE	APPROVED



TABULATION BLOCK

DASH NO.	F1 AND F2	F3	NTC R803-806	JUMPER INSTALLATION	C803 C804	C810
SH-000194-00	25A, 125V	1A, 250V	.5 OHM	W1, W2	.0033	NA
SH-000194-02	15A, 250V	0.5A, 250V	2 OHM	W3	.0015	.47

2. ALL CAPACITOR VALUES ARE IN MICROFARADS, 125/250 VAC, +/-20%.

1. ALL RESISTOR VALUES ARE IN OHMS, 1/4 WATT, +/-5%.

NOTES: UNLESS OTHERWISE SPECIFIED

QTY	ITEM NO.	PART NO.	DESCRIPTION	VENDOR
<b>PARTS LIST</b>				
UNLESS OTHERWISE SPECIFIED DIMENSIONS ARE IN INCHES. DIMENSIONS PER ANSI Y14.5-1982 TOLERANCES ARE: DECIMALS    DECIMALS    ANGLES .XX ±        .XXX ±        0 DEBURR EDGES .XXX R MAX MATERIAL			CONTRACT NO.	
FINISH			APPROVALS    DATE	
NEXT ASSY    USED ON			DRAWN    B. LILLEMOEN    8-3-95	
APPLICATION			CHECKED    NEIL P.    12-6-95	
DO NOT SCALE DRAWING			ISSUED    TIM SHOOK    12-22-95	
			SIZE    FSCM NO.    DWG NO.    REV	
			C    NONE    SH-000194-XX	
			SCALE    NONE    CAD FILE NO.    Sh0194-b.sch    SHEET 1 OF 1	

**QSC** AUDIO PRODUCTS, INC.  
COSTA MESA, CALIFORNIA

**SCHEMATIC DIAGRAM,  
AC FILTER, POWERLIGHT**